

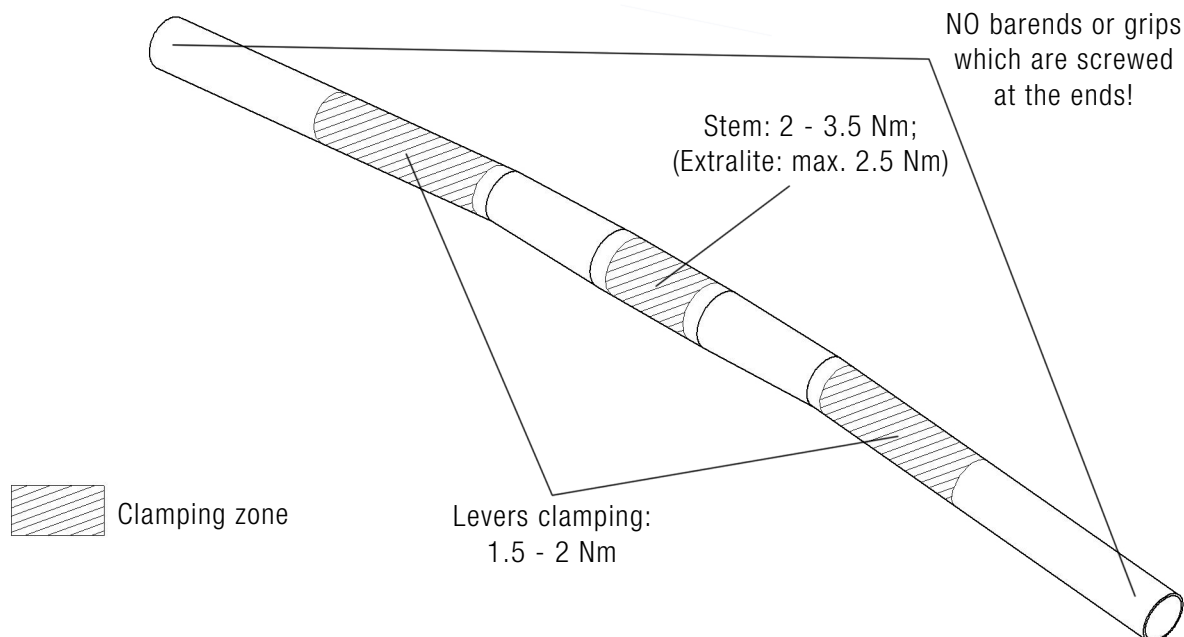


INSTRUCTION SHEET FOR MTB BAR TLO - WITHOUT BAREND OPTION -

Your handlebar is made of extremely strong carbon fibre which is highly tear-resistant. Due to the nature of the material it is vulnerable to pressure or when being cut by sharp edges. Hence we must ask you to follow the safety instructions below to the letter:

- If there are any sharp edges at the clamping parts these must be smoothed prior to fitting our handlebars using a file or emery paper.
- Take care that no dirt or metal chips are trapped inside the tightening zone.
- Do not drill the handlebar.
- The bars may not be shortened by more than 10 mm on each side, so please make sure to order the right size for your requirements.
- Pay attention to the permitted tightening torques!
Stem: 2 to 3.5 Nm; (Extralite: up to 2.5 Nm!)
Levers clamping: 1.5 to 2 Nm
NO barends or grips which are screwed at the ends!
- Apply the enclosed fitting paste on the tightening zone. This paste increases friction and reduces the necessary tightening torques by 1.5 Nm.
- Do not tighten the screws to the specified maximum values at first. Start at the lowest specified values and check if the connection is tight enough. If necessary increase the tightening torques, but do not exceed the specified maxima. Low clamping forces relieve the bar and raise its long-life cycle.

If the specified maximum values are exceeded you put your safety and health at risk and the warranty expires.



WARRANTY MTB-BAR

You have purchased a product Made in Germany, each and every handlebar is manufactured by hand and has passed a thorough final inspection. Ever since our first carbon fibre road bar came out in 1992 our products have been the benchmark for both weight and reliability.

Our products have been tested and have received praise time and again. On top of that athletes have trusted us for their most important races. The Topeak-Ergon-Team with Wolfram Kurschat and Irina Kalentieva, and the Central Ghost Team with Sabine Spitz and Lisi Osl, as well as the M.I.G. Team ride our bars and seatposts. Sabine Spitz and Jan Frodeno won the Gold medal in the MTB and Triathlon races in Beijing 2008 using Schmolke products.

Our bars are computer-designed composed of a custom-built fibre layering to meet your individual demands. We therefore consider our products strong and reliable enough to offer a free replacement warranty if our bars should fail due to a fault in material or manufacture within three years after the date of purchase.